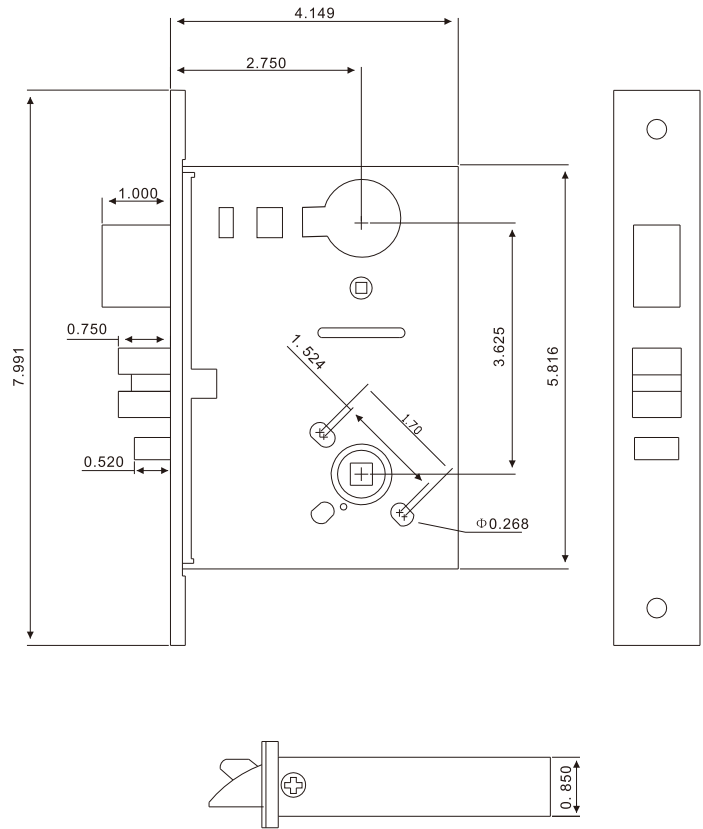
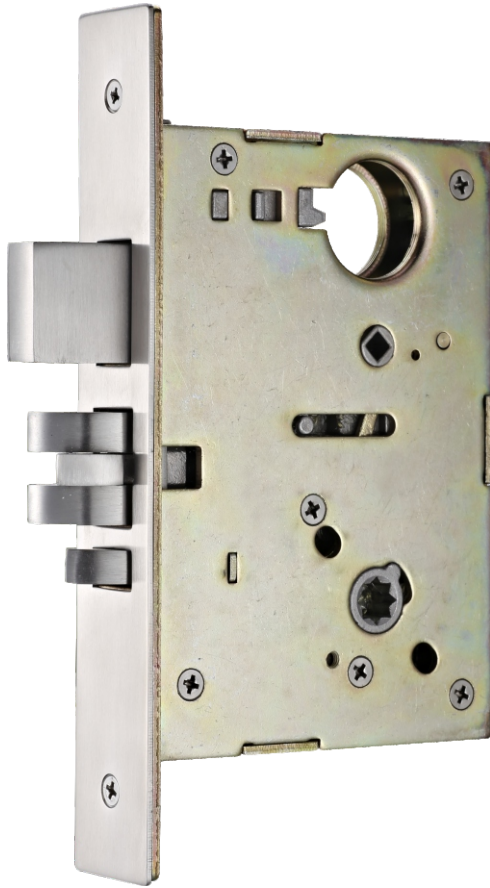


ANSI Commercial Mortise Locks



Certificate:

1. BHMA listed
2. ANSI/BHMA A156.13-2020, Grade 1(1,000,000)
3. UL10C fire rated, 3 hours

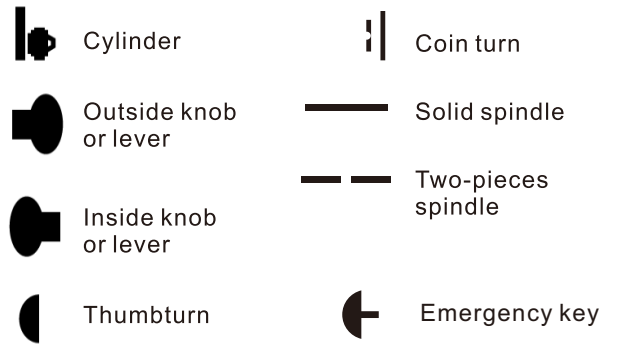
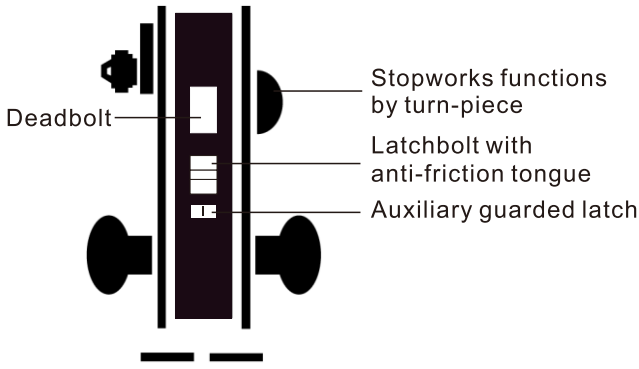
CML800 Series ANSI Commercial Mortise Locks

Function and Application:


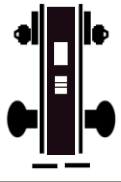
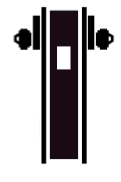
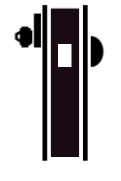



Universal lock case - multiple functions in one case
 Field-reversible handing without opening lock case
 Locking thumbturn on the inside of door visually shows whether the door is locked or unlocked
 Independent lever rotation

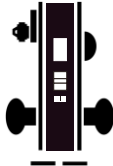




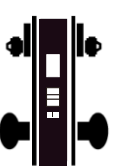

Specification:

Lockcase: Heavy gauge steel,
 with zinc dichromate finish for corrosion resistance.
Deadbolt: One-piece stainless steel, 25mm throw.
Latchbolt: Stainless steel,
 2 pieces mechanical with anti-friction insert, 19mm throw.
Auxiliary Latchbolt: stainless steel
Strike: stainless steel,
 ANSI straight lip standard 4-7/8" (124mm) X1-1/4" (32mm)
Door Thickness: 1-3/4" (45mm) standard.
 Optional 1-3/8"(35mm), 2-1/2"(64mm)
Backset: 2 3/4" (70mm)



Outside Inside	SKU	Type	ANSI	Function Description
	CML801	Passage Latch	F01	Latch bolt operated by lever from either side at all times
	CML802	Privacy, Bedroom or Bath Lock	F22	Latch bolt retracted by knob / lever from either side unless outside is locked by inside thumbturn or outside coin turn. Operating inside knob / lever, closing door, rotating inside thumbturn or rotating outside coin turn unlocks outside knob / lever. Inside knob / lever is always free for immediate egress.
	CML802B	Privacy, Bedroom or Bath Lock	F22	Latch bolt retracted by knob / lever from either side unless outside is locked by inside thumbturn. Operating inside knob / lever, closing door, or operating outside emergency release unlocks outside knob / lever. Inside knob / lever is always free for immediate egress.
	CML804	Office and Inner Entry Lock	F04	Latch bolt operated by lever from either side except when outside lever is made inoperative by thumbturn or key. When outside lever is locked, latch bolt is retracted by key from outside or by operating inside lever. Auxiliary dead latch.
	CML805	Classroom Lock	F05	Latch bolt operated by lever from either side except when outside lever is locked from outside by key. When outside lever is locked, latch bolt is retracted by key, or by operating inside lever. Auxiliary dead latch.
	CML807	Storeroom Lock	F07	Latch bolt operated by key from outside or by operating inside lever. Outside lever is always inoperative. Auxiliary dead latch.
	CML809	Apartment Entrance Lock	F09	Latch bolt operated by lever from either side, except when outside lever is locked by key from inside. When outside lever is locked, latch bolt is retracted by key from outside or by operating inside lever. Auxiliary dead latch.

Outside Inside	SKU	Type	ANSI	Function Description
	CML813	Corridor Lock	F13	Latch bolt operated by lever from either side. Dead bolt projected by key from outside and turn from inside. Operating inside lever retracts both bolts and unlocks outside.
	CML814	Store/Utility Room Lock with Deadbolt	F14	Latch bolt operated by lever from either side. Dead bolt operated by key from either side.
	CML816	Dead Lock	F16	Dead bolt operated by key from either side.
	CML817	Dead Lock	F17	Dead bolt operated by key from outside and by turn from inside.
	CML818	Dead Lock	F18	Dead bolt operated by key from outside only.
	CML819	Privacy with Deadbolt and Coin Turn Outside	F19	Latchbolt retracted by knob/lever from either side. Deadbolt thrown or retracted by inside thumbturn or outside coin turn. Throwing deadbolt locks outside knob/lever. Rotating inside knob/lever simultaneously retracts deadbolt and latchbolt, and unlocks outside knob/lever. Rotating outside coin turn retracts deadbolt and unlocks outside knob/lever. Availab with rose trim only. Inside lever is always free for immediate egress.
	CML819B	Privacy with Deadbolt and CYLINDER Outside	F19	Latchbolt retracted by knob/lever from either side. Deadbolt thrown or retracted by inside thumbturn or outside CYLINDER. Throwing deadbolt locks outside knob/lever. Rotating inside knob/lever simultaneously retracts deadbolt and latchbolt, and unlocks outside knob/lever. Rotating outside CYLINDER retracts deadbolt and unlocks outside knob/lever. Availab with rose trim only. Inside lever is always free for immediate egress.

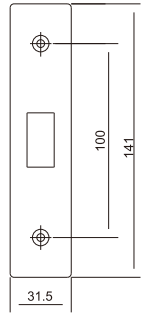
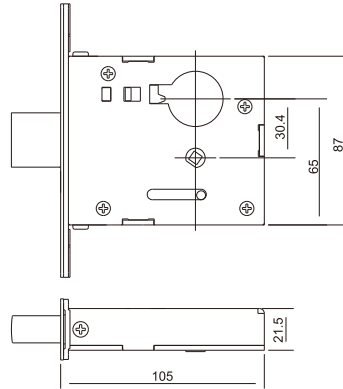
Outside Inside	SKU	Type	ANSI	Function Description
	CML820	Entrance Lock	F20	Latch when outside from either side, except when outside lever is made inoperative by thumbturn. Dead bolt operated by key outside or turn inside. Key outside operates both bolts. Operating inside lever retracts both bolts and outside remains locked. Latch bolt is dead locked when outside lever is made inoperative or when the dead bolt is projected. When dead bolt is retracted, lever is unlocked by thumbturn.
	CML821	Room Door Lock	F21	Latch bolt operated by lever from either side. Dead bolt operated by key from outside and turn from inside.
	CML829	Classroom Dead Lock	F29	Key from outside operates dead bolt. Turn from inside retracts but does not project dead bolt.
	CML832	Intruder Latch Bolt Lock	F32	Latch bolt operated by lever from either side except when outside lever is locked from inside or outside by key. When outside lever is locked, latch bolt is retracted by key from inside or outside or by operating inside lever. Auxiliary dead latch.
	CML833	Intruder Dead Bolt Lock	F33	Latch bolt operated by lever from either side except when outside lever is locked from inside or outside by key. Dead bolt retracted by key from inside or outside. Operating inside lever retracts both bolts and unlocks outside.
	CML834	Intruder Dead Bolt Lock	F34	Latch bolt operated by lever from either side except when outside lever is locked from inside or outside by key. Dead bolt retracted by key from inside or outside. Operating inside lever retracts both bolts and unlocks outside. Auxiliary dead latch or latch bolt dead locked when dead bolt is thrown.
	CML831	Exit or Communicating Lock	F31	Latch bolt operated by lever from inside. Non removable blank trim or no trim outside.

CML816D Deadbolt Lock

Material: stainless steel
Finish: sss, AB, PVD



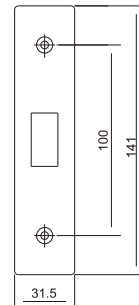
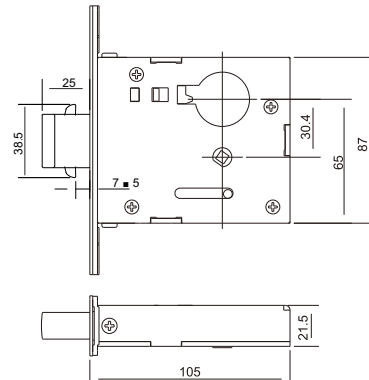
- Certificate (Pending):
1. ANSI/BHMAA156.13, Grade 1
 2. UL 10C fire rated, 3 hours



Outside Inside	SKU	Type	ANSI	Function Description
	CML816D	Dead Lock	F16	Dead bolt operated by key from either side.
	CML817D	Dead Lock	F17	Dead bolt operated by key from outside and by turn from inside.
	CML818D	Dead Lock	F18	Dead bolt operated by key from outside only
	CML829D	Classroom Dead Lock	F29	Key from outside operates dead bolt. Turn from inside retracts but does not project dead bolt.

CML816L Mortise Lock Set for Sliding Doors

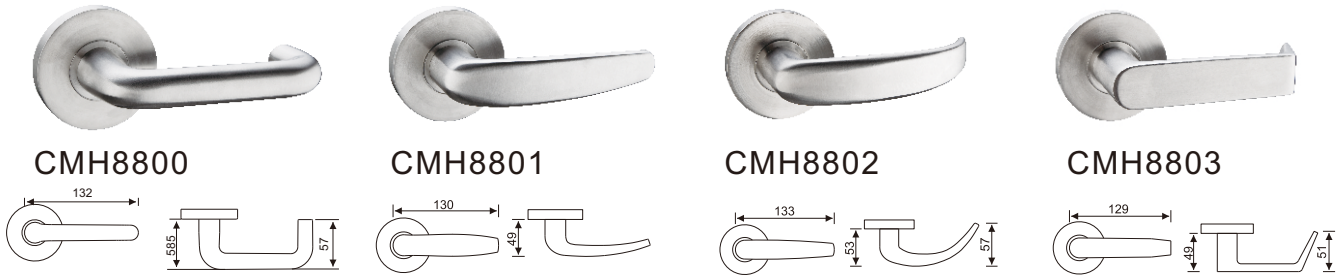
Self-retracting hook with non-marring latch bolt
Stainless steel 304 deadbolt with 1" (25.4 mm) throw
Stainless steel face plate



Lever Designs

Material: stainless steel

Finish: Satin finish, Polished finish, PVD

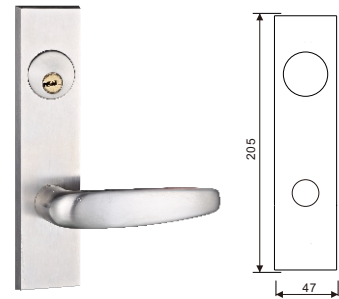


Rose R2, round

2 9/16" (65 mm) diameter

Material: stainless steel

Finishes: 629, 630, PVD



Rose S2, square

2 9/16"x2 9/16"(65x65mm)

Material: stainless steel

Finishes: 629, 630, PVD



Escutcheons Full Face ES1

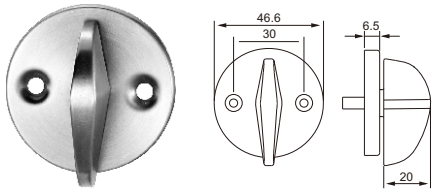
Material: stainless steel

Finishes: 605, 606, 609, 629, 630

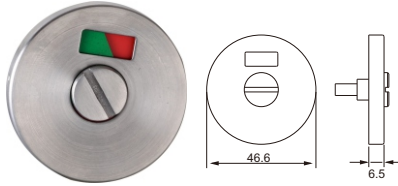
Size: 205mmx47mmx11mm



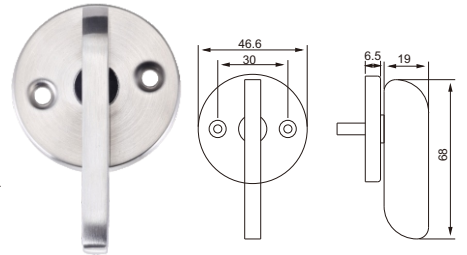
Thumbturns and indicators
 Material: stainless steel
 Finishes: 629, 630, PVD



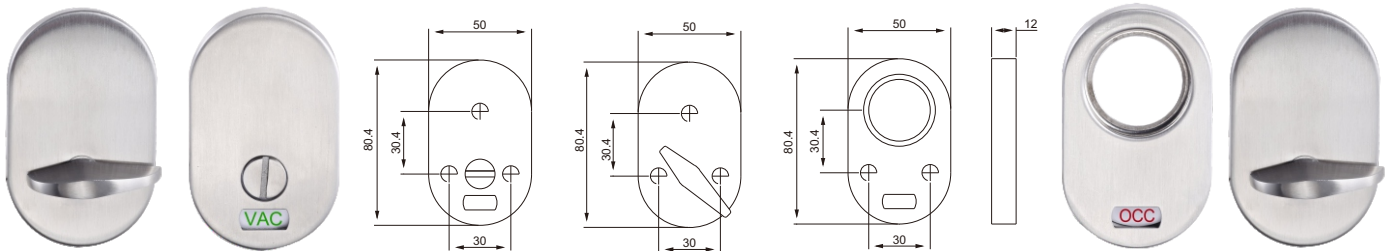
T2



T3



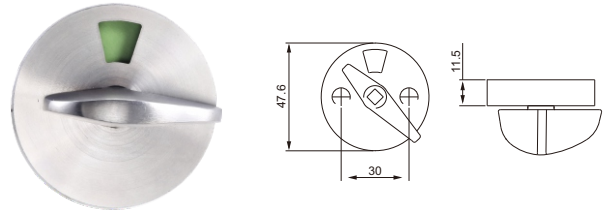
T4 for ADA



T6

T7

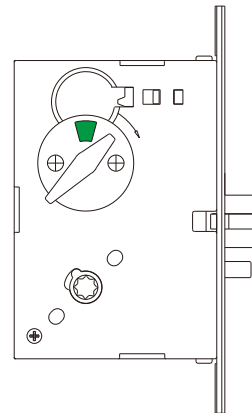
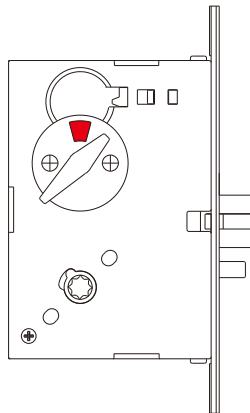
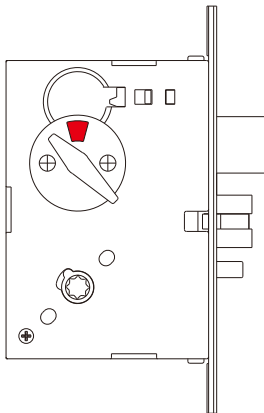
ID01 interior thumbturn with indicator
 For CML820 interior to show passage function
 Material: stainless steel
 Finishes: 629, 630, PVD



RED:
Deadbolt throw

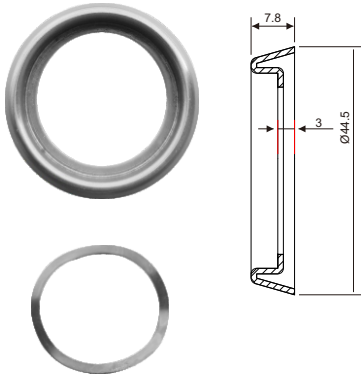
RED:
Deadbolt retract, and
outside lever handle locked

GREEN:
Outside lever handle unlocked
by thumbturn

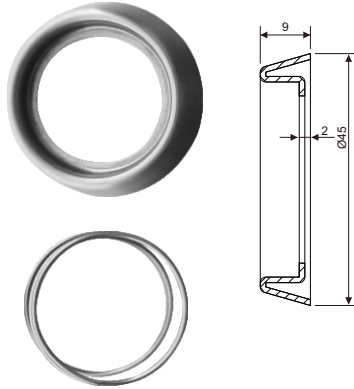


Compression Rings and Springs

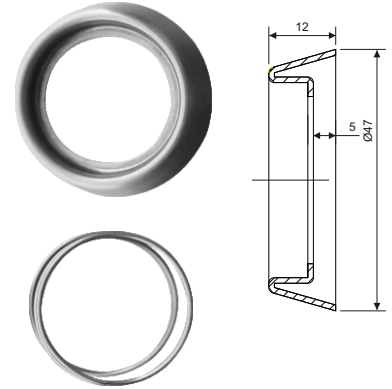
CR2: 7.8mm height
 CR3: 9.0mm height
 CR4: 12.0mm height
 Material: stainless steel
 Finishes: 629, 630, PVD



CR2



CR3



CR4

Cylinder

With stainless steel 304 head cover
 Keyway Schlage C
 3 keys



Certificate:
 ANSI/BHMA A156.5, grade 1



ACY



ACC

Length		Marks
1 1/8	28.6mm	5 pin No master key
1 1/4	31.7mm	6 pin master key available
1 3/8	34.9mm	6 pin master key available
1 1/2	38.1mm	6 pin master key available
1 5/8	41.3mm	6 pin master key available

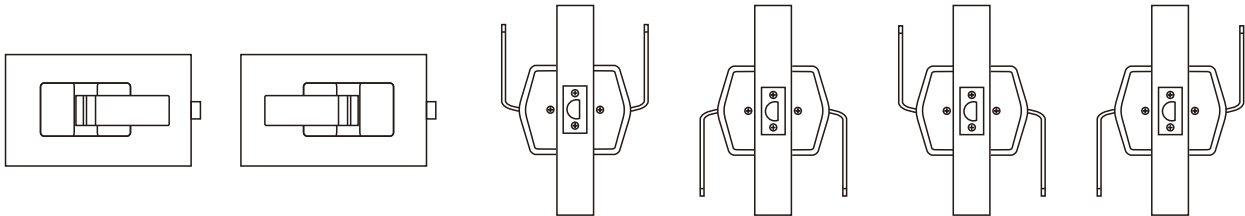
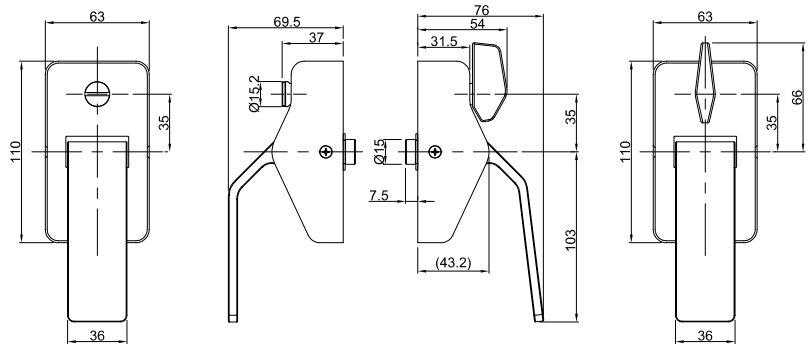
Small format interchangeable core cylinder

Housing: 34.9mm length
 Core: 31.7mm length, 7 pin
 With 2 operating keys and 1 control key

Push And Pull Pads

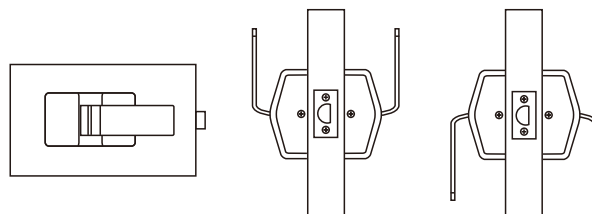
HPP100 Push/Pull Latch

1. Meets ADA requirements
2. Non-handed
3. 1 3/4" door thickness
4. Covers and paddles are made of stainless steel
5. Finishes: satin stainless steel
6. 6 Mounting Positions:
 - Handles down
 - Handles up
 - One handle up, one handle down (either push or pull)
 - Handles point away from latch
 - Handles point toward latch
7. 4 Backset Sizes:
 - 2-3/4" backset standard
 - 3-3/4"
 - 5"
 - 7"
8. 2 Strike Sizes:
 - Standard – 2-3/4"
 - ASA – 4-7/8"



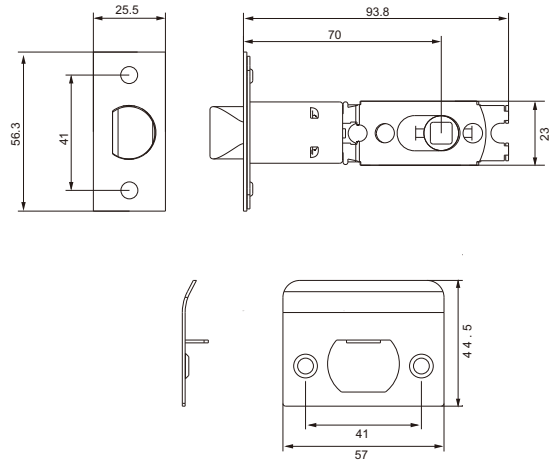
HPP110/HPP112 Privacy Cylindrical Latches

1. HPP110 Series
 - Locking thumb turn on pull side
 - Override knob on push side
2. HPP112 Series
 - Locking thumb turn on push side
 - Override knob on pull side
3. Cylindrical latch application – privacy function
4. Door is locked by moving the thumb turn into the locked position
5. Door is unlocked by operating handle on thumbturn side, moving thumbturn into the unlocked position or rotating the override knob in case of emergency
6. 1-3/4" standard door thickness
7. Meets ADA requirements
8. Trim is mounted using for thru-bolts for maximum stability
9. 3 Mounting Positions:
 - Handles down
 - Handles up
 - Handles point towards latch
10. 4 Backset Sizes:
 - 2-3/4" backset standard
 - 3-3/4"
 - 5"
 - 7"
11. 2 Strike Sizes:
 - Standard – 2-3/4"
 - ASA – 4-7/8"



Cylindrical Latches ML70-1

- 1.4 Backset Sizes:
 2-3/4" backset standard
 3-3/4"
 5"
 7"
- 2.2 Strike Sizes:
 Standard – 2-3/4"
 ASA – 4-7/8"

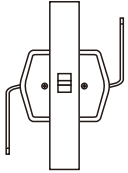
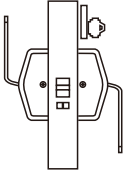
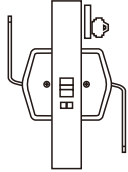
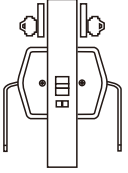
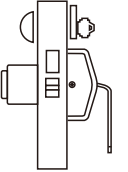
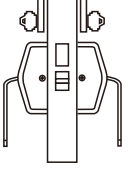
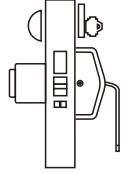
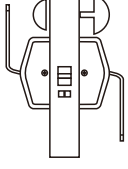


HPP100 Trim with Mortise Lock Body

The HPP100 Push/Pull Latch is available with CML800 series heavy-duty mortise lock. Mortise lock combination models are furnished in 2-3/4" backset.

1. 5 Mounting Positions:
 Handles down
 Handles up
 One handle up, one handle down (either push or pull)
 Handles point away from latch
2. Cylinder Operation:
 Handle on cylinder side must be mounted in down position
3. Thumbturn Operation:
 Where thumbturn operation is required, the handle must be mounted in horizontal position.
 Standard thumbturn is provided
4. Mortise Lock Functions Available
 For a full list of standard and special lock functions available.



Inside	Outside	SKU	Type	ANSI	Function Description
		HPP100-F01	Passage Latch	F01	Latchbolt retracted by paddle from either side at all times. Inside paddle is always free for immediate egress.
		HPP100-F05	Classroom Lock	F05	Latchbolt retracted by paddle from either side unless outside is locked by key. Unlocked from outside by key. Inside paddle always free for immediate exit. Auxiliary latch deadlocks latchbolt when door is locked. Inside paddle is always free for immediate egress.
		HPP100-F07	Storeroom	F07	Latchbolt retracted by key outside or by paddle inside. Outside paddle always inoperative. Auxiliary latch deadlocks latchbolt when door is locked. Inside paddle is always free for immediate egress.
		HPP100-F09	Apartment Entrance Lock	F09	Latchbolt retracted by paddle from either side unless outside is locked by key from inside. When locked, latchbolt retracted by key outside or paddle inside. Auxiliary latch deadlocks latchbolt when door is locked. Inside paddle is always free for immediate egress.
		HPP100-F13	Dormitory	F13	Latchbolt operated by pad from either side. Deadbolt projected by key from outside and turn from inside. Operating inside pad retracts both bolts and unlock outside.
		HPP100-F14	Store/Utility Room Lock	F14	Latchbolt retracted by paddle from either side. Deadbolt thrown or retracted by key from either side.
		HPP100-F21	Dormitory /Bedroom	F21	Latchbolt retracted by paddle from either side. Deadbolt thrown or retracted by key outside or thumbturn inside
		HPP100-F22	Bath/Bedroom Privacy Lock	F22	Latchbolt retracted by paddle from either side unless outside is locked by inside thumbturn. Actuating inside paddle or closing door unlocks outside paddle. To unlock from outside, remove emergency button, insert emergency thumbturn(furnished) in access hole and rotate. Inside paddle is always free for immediate egress.

ANSI Residential Mortise Locks

CML890

Residential entrance mortise lock

Specification:

Compliance with ANSIA156.13-2005, Grade 1

Compliance with UL fire rated

Locking thumbtum on the inside of door visually shows whether the door is locked or unlocked

Lockcase: Heavy gauge steel, with zinc dichromate finish for corrosion resistance.

Deadbolt: One-piece stainless steel, 25mm throw.

Latchbolt: Stainless steel, 2 piece mechanical with anti-friction insert. 19mm throw.

Auxiliary latchbolt: stainless steel

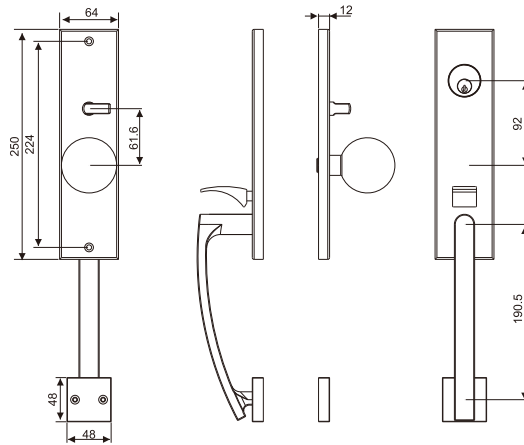
Strike: stainless steel, ANSI straight lip standard, 4-7/8" (124mm) x 1-1/4" (32mm)

Door thickness: 1-3/4" (45mm) standard. Optional 1-3/8" (35mm), 2-1/2" (64mm)

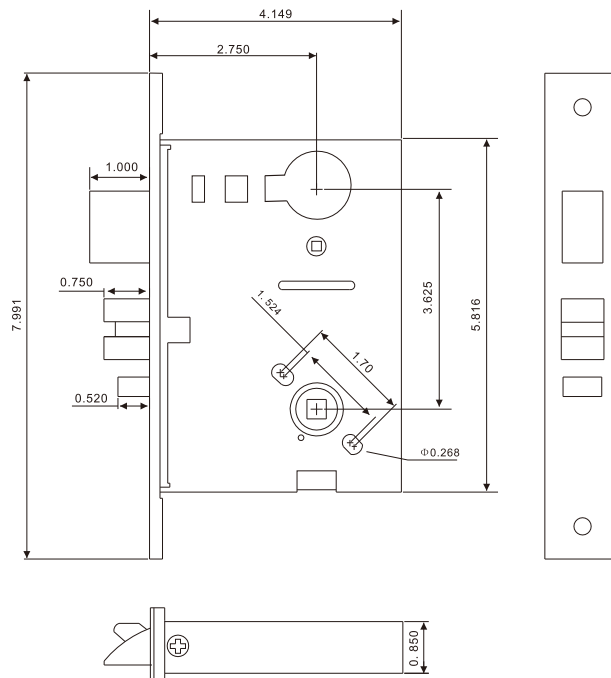
Backset: 2-3/4" (70mm)



CMH8904



CMH890



Soundproof Locks

GT2000

Concealed Soundproof Lock

GT200X-JX-XX (height) -XX (thickness) -XXX (finish)

Certificate:
EN12211, 6000Pa



GT2000



GT2002

Application: soundproof door, air permeability door, watertight door, wind load resistance door, metro section door and medical room.

1. Backset 70mm, distance 115mm

2. Lighter handle pressure:

To reduce the amount of pressure needed to turn the handle, the design includes a time delay between the operations of the deadbolt and rod (extension of the rods begins before the deadbolt is thrown).

3. Incorrect handle operation is prevented:

An adjustable protrusion (set-up piece) is added to the strike so that the lock is operated only in the designated position.

4. The strike of the bolt can be adjustable to guarantee the tightness.

5. Material: stainless steel 304

6. GT2000 for single door

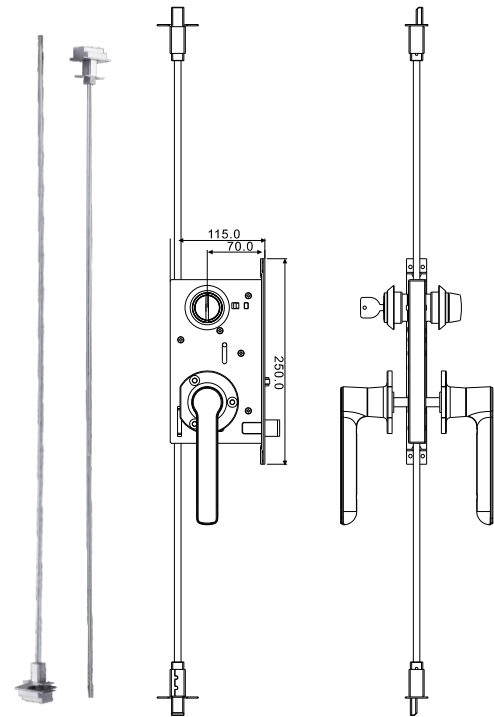
7. GT2000+GT2002 for double door

8. When ordering, please specify:

A) The door height. If these dimensions are not specified,

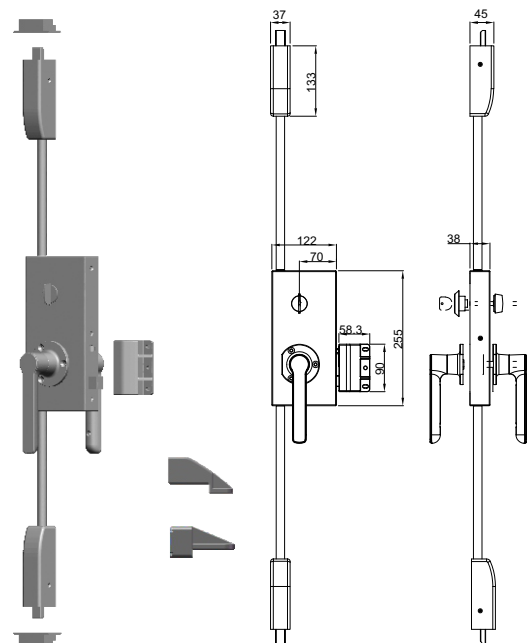
2 rods are making for a total length of L=1,200mm



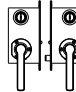
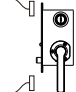
B) The exact door thickness.

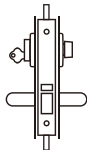
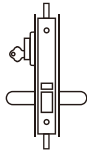
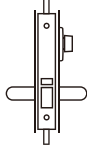
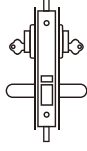
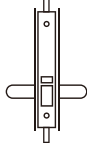


GT2000-SF

Surface Mounted Soundproof Lock



Model	Sketch	Content	Applications
GT2000		With deadbolt With auxiliary latch	Installation in single door. Installation on only one side of double doors. (Either the GT2002 type or Flush bolts are necessary for the other side.)
GT2002		With receiving hole for deadbolt With auxiliary latch	The Cremon lock, which has a receiving hole for a deadbolt of GT2000 type, is used in combination with GT2000 type for double doors.
GT2000+GT2002		Combines GT2000 and GT2002 in one unit ※The auxiliary door side is a fixed function 0 model	Installation in double doors. (Use a cremon lock for both doors)
GT2000+Flush bolt		Combines GT2000 and flush bolt in one unit	Installation in double doors. (Use a flush bolt for the auxiliary door)

Functions	Outside	Sketch	Inside	Operation
J1	Cylinder ----- Lever handle		Thumb-turn ----- Lever handle	Rods (and deadbolt) operated by lever handle. Locked and unlocked with key from outside and with thumb-turn from inside.
J2	Cylinder ----- Lever handle		None ----- Lever handle	Rods (and deadbolt) operated by lever handle. Locked and unlocked with key from outside. Impossible to lock and unlock from inside.
J3	None ----- Lever handle		Thumb-turn ----- Lever handle	Rods (and deadbolt) operated by lever handle. Impossible to lock and unlock from outside. Locked and unlocked with thumb-turn from inside.
J4	Cylinder ----- Lever handle		Cylinder ----- Lever handle	Rods (and deadbolt) operated by lever handle. Locked and unlocked with key from both outside and inside.
J0	None ----- Lever handle		None ----- Lever handle	Rods (and deadbolt) operated by lever handle. Impossible to lock.

Backset(mm) 70

European Profile Mortise Locks

N **72-60C** **-S24** **-FA01** **-SSS** **-304**

Latch bolt

N: silence latch with nylon
M: Magnetic latch
A: Anti-friction latch

Model

Forend

S24: square, width 24
R24: round, width 24
S20: square, width 20
R20: round, width 20

Strike

Finish

SSS: stainless steel
PSS: polishing(629)
PVD: PVD
Consultant factory for others

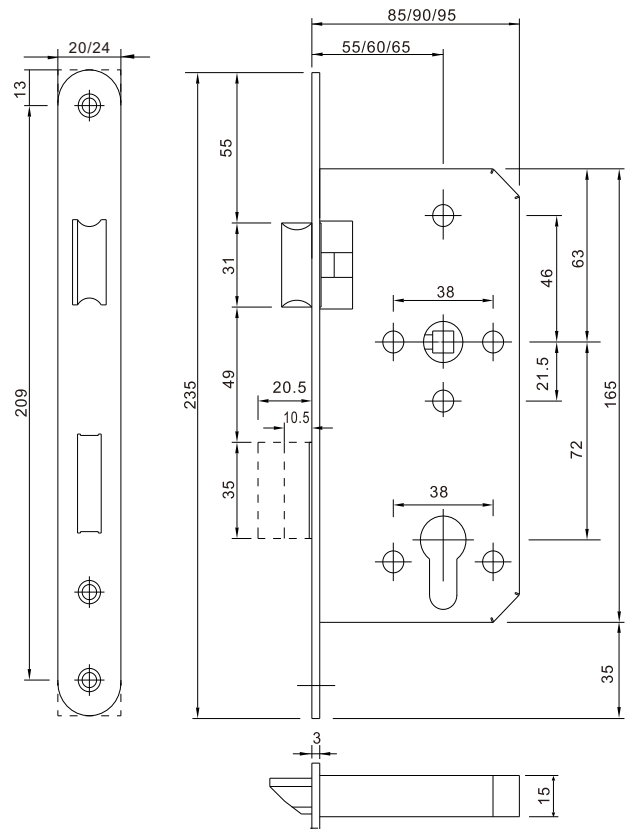
Material

Standard, not any marks: stainless steel 304
316: stainless steel 316

Locks for Wooden and Metal Doors

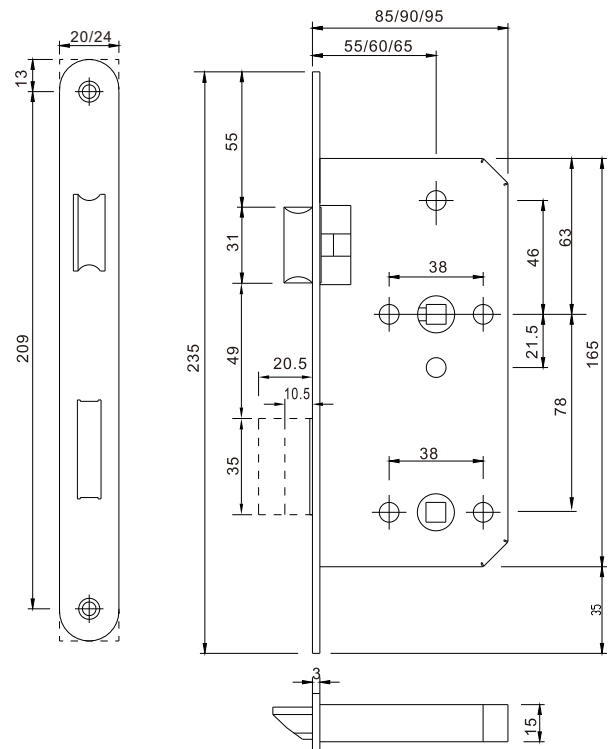
72-55A/72-60A/72-65A Sash lock

1. Lock case seal, zinc plated
2. Latch and bolt made of stainless steel 304
3. Bolt projection, double throw, 20mm
4. 8mm square steel follower in steel
5. Hole for standard fixings
6. Non-handed
7. CE certificate, 4-hour fire rated
8. EN12209:3X91^b0G2BC10



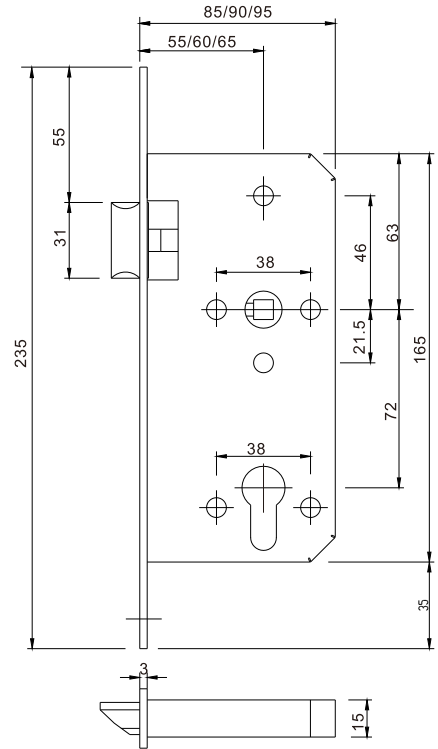
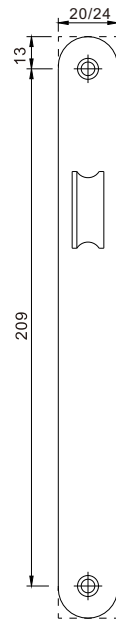
78-55WC/78-60WC/78-65WC Bathroom lock

1. Follower to keyway centers 78mm
2. Lock case seal, zinc plated
3. Latch and bolt made of stainless steel 304
4. Bolt projection, one throw, 20mm
5. 8mm square steel follower in steel
6. Hole for standard fixings
7. Non-handed
8. CE certificate, 4-hour fire rated
9. EN12209:3X9^b0G0BG10



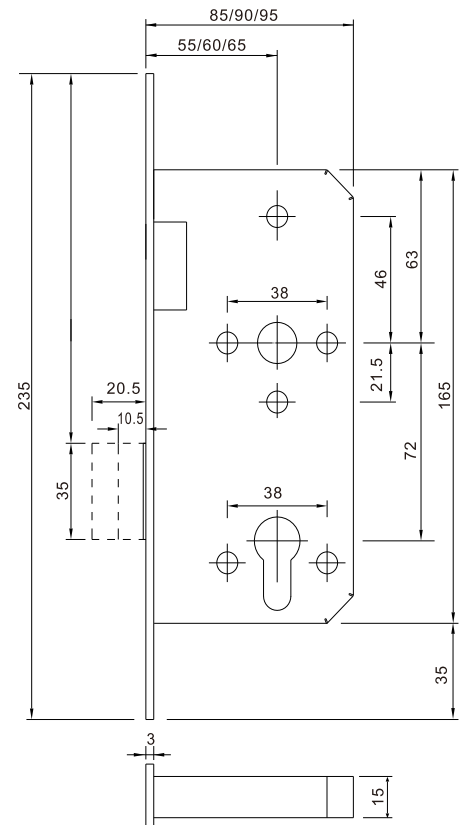
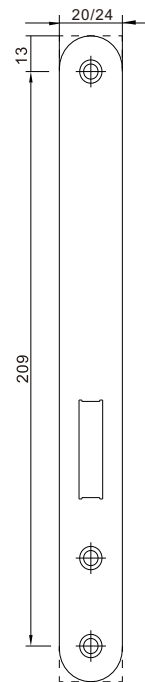
72-55L/72-60L/72-65L Latch bolt fire-rated lock

1. Lock case seal, zinc plated
2. Latch made of stainless steel 304
3. 8mm square steel follower in steel
4. Hole for standard fixings
5. Non-handed
6. CE certificate, 4-hour fire rated
7. EN12209:3X91^b0G0B010



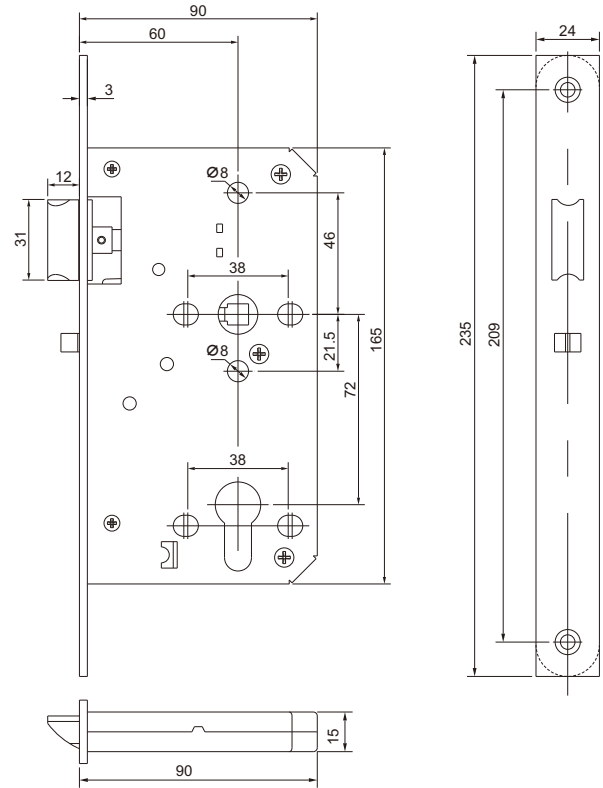
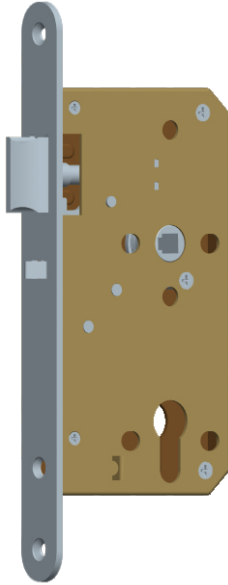
72-55D/72-60D/72-65D Dead bolt lock

1. Lock case seal, zinc plated
2. Deadbolt made of stainless steel 304
3. Bolt projection, double throw, 20mm
4. 8mm square steel follower in steel
5. Hole for standard fixings
6. Non-handed
7. CE certificate, 4-hour fire rated
8. 3C-1^b0G2BA10



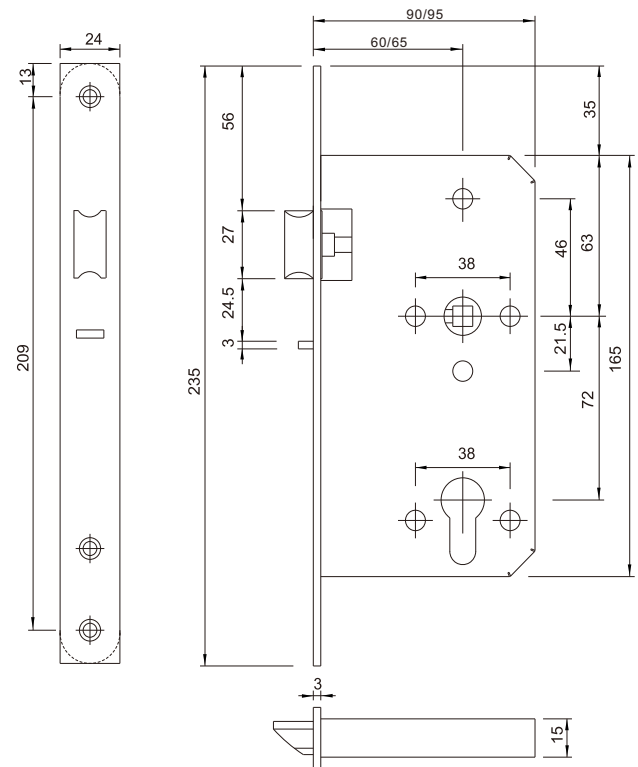
72-60F Night latch lock

1. Lock case seal, zinc plated
2. Latch made of stainless steel 304
3. 8mm square steel follower in steel
4. Hole for standard fixings
5. Non-handed
6. CE certificate, 4-hour fire rated
7. EN12209:3X91^b0G2BA10



72-60C/72-65C Classroom lock

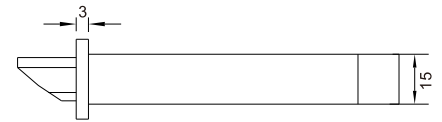
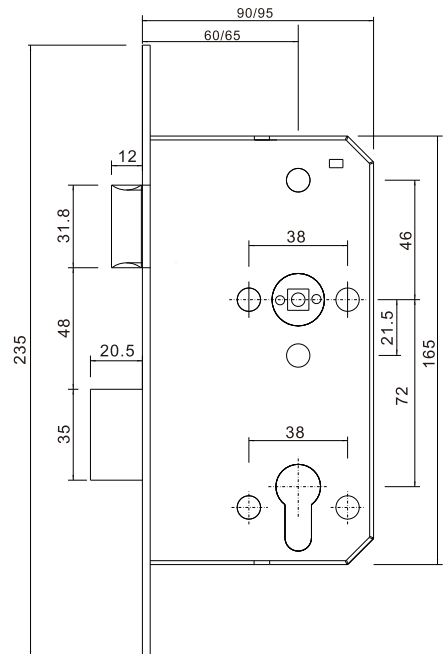
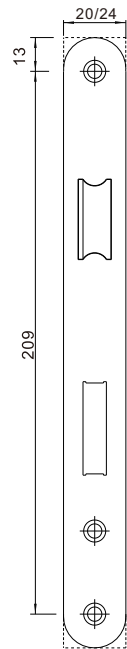
1. Lock case seal, zinc plated
2. Latch made of stainless steel 304
3. 8mm square steel follower in steel
4. Hole for standard fixings
5. Non-handed
6. CE certificate, 4-hour fire rated
7. 3X91^b0G2BA10



72-60T/72-65T

Exit lock

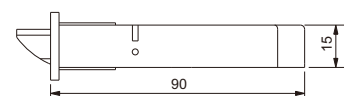
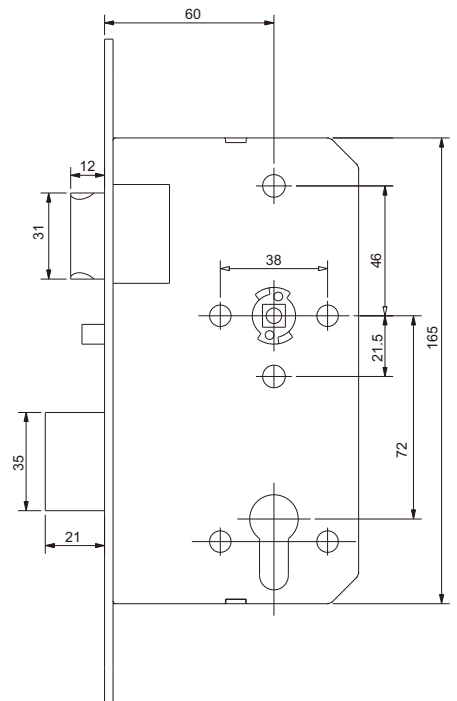
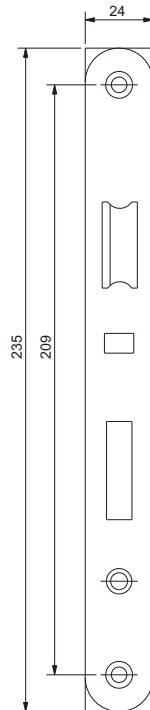
1. Lock case seal, zinc plated
2. Latch and bolt made of stainless steel 304
3. Bolt projection, double throw, 20mm
4. 8mm square steel follower in steel
5. Hole for standard fixings
6. Non-handed
7. CE certificate, 4-hour fire rated
8. EN12209:3X91⁰G2BA10
9. EN179: 376B^(b)1322AB



72-60TA

Exit lock with anti-thrust

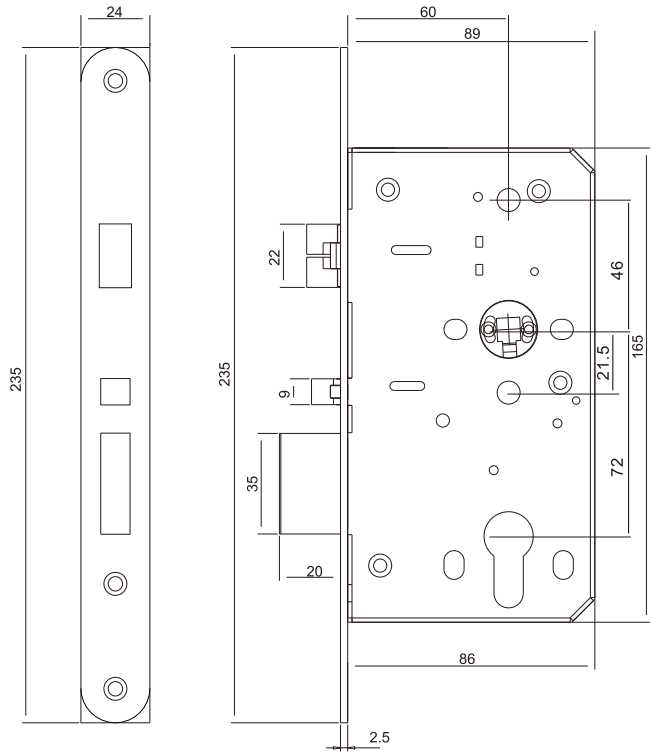
1. Lock case seal, zinc plated
2. Latch and bolt made of stainless steel 304 with auxiliary latch
3. Bolt projection, double throw, 20mm
4. 8mm square steel follower in steel
5. Hole for standard fixings
6. Non-handed
7. Compliance to EN12209
8. Compliance to EN179



72-60TF

Automatic deadbolt locking mortise lock

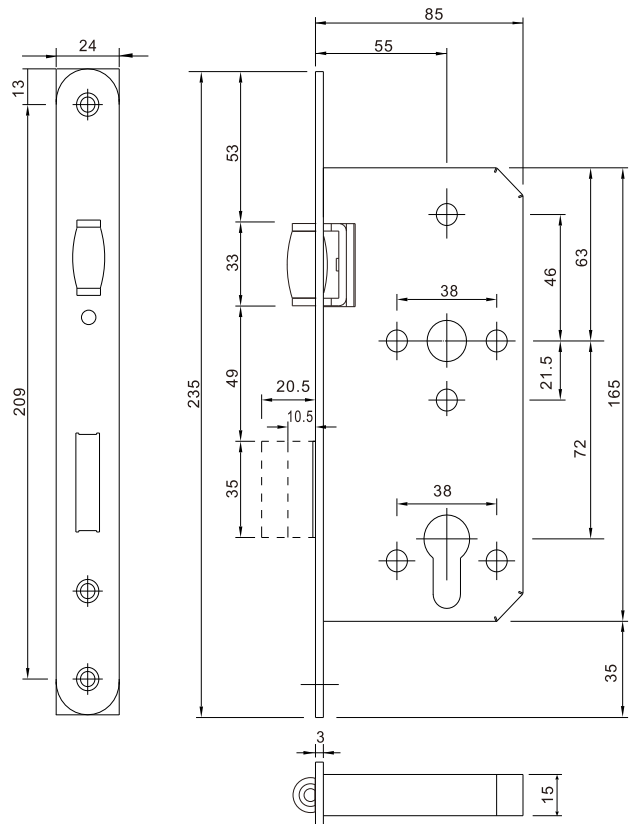
1. Lock case seal, zinc plated
2. Latch and bolt made of stainless steel 304
3. Bolt projection, one throw, 20mm
4. 8mm square steel follower in steel
5. Non-handed
6. EN12209 in preparation



72-55P

Roller latch

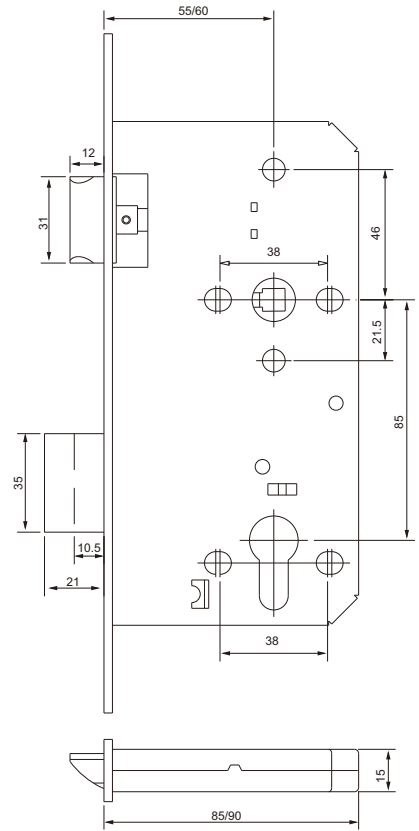
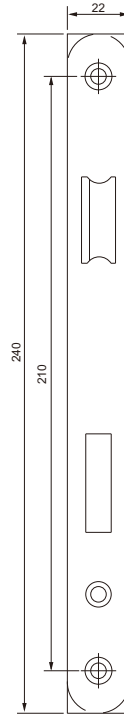
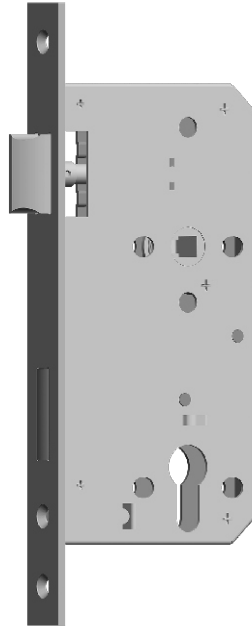
1. Lock case seal, zinc plated
2. Roller latch made of stainless steel 304
3. Hole for standard fixings
4. Non-handed



85-55/60A

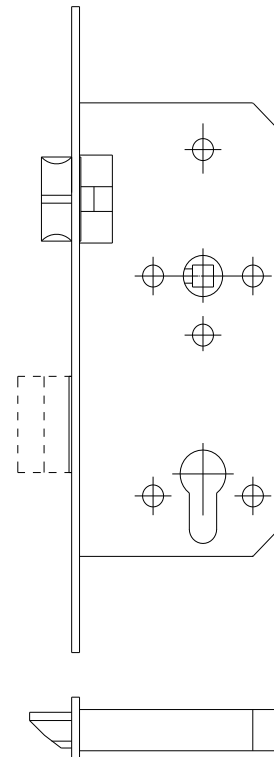
Sash lock

1. Lock case seal, zinc plated
2. Latch and bolt made of stainless steel 304
3. Bolt projection, double throw, 20mm
4. 8mm square steel follower in steel
5. Hole for standard fixings
6. Non-handed



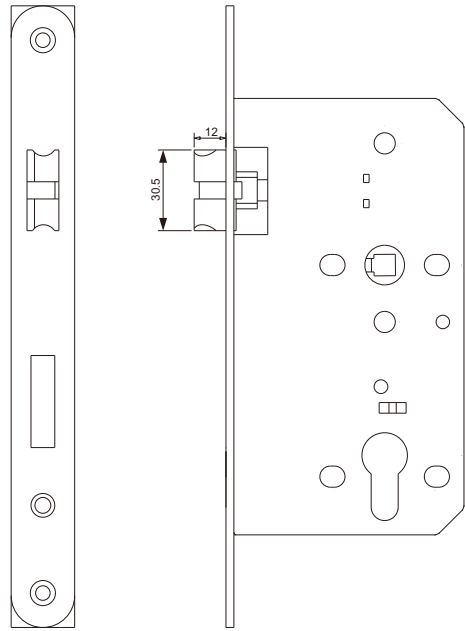
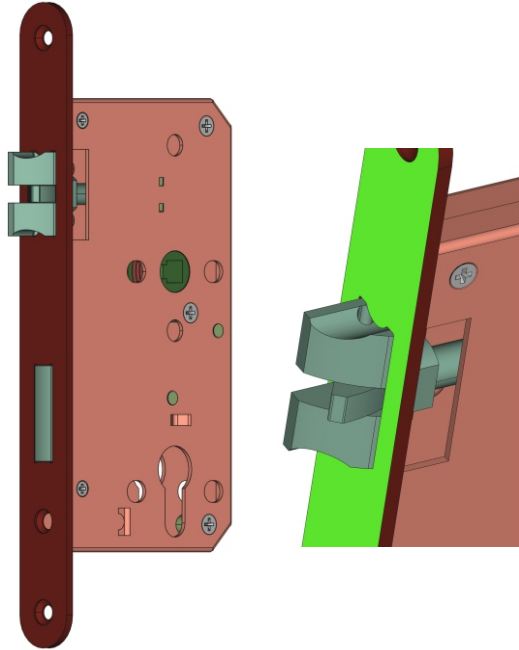
N72-xxA/L /C/F

1. Lock with silent latch
2. Latchbolt with plastic piece to reduce noise
3. These latchbolt can be applied to all locks which with latch bolt
4. "N" means lock with silent latch bolt



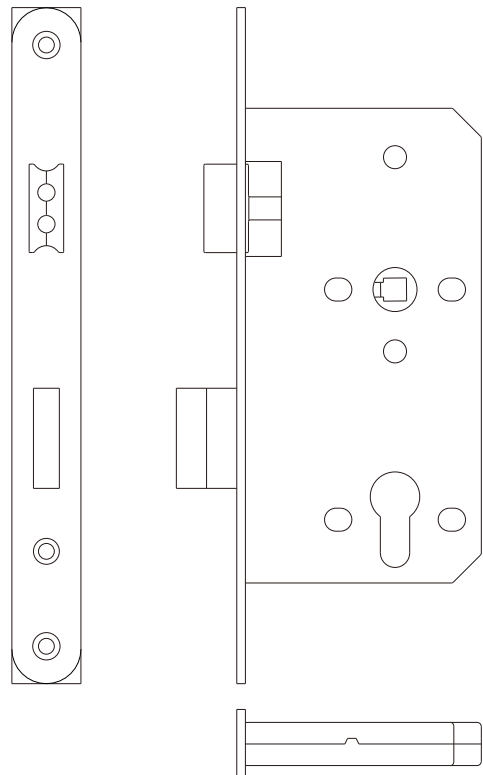
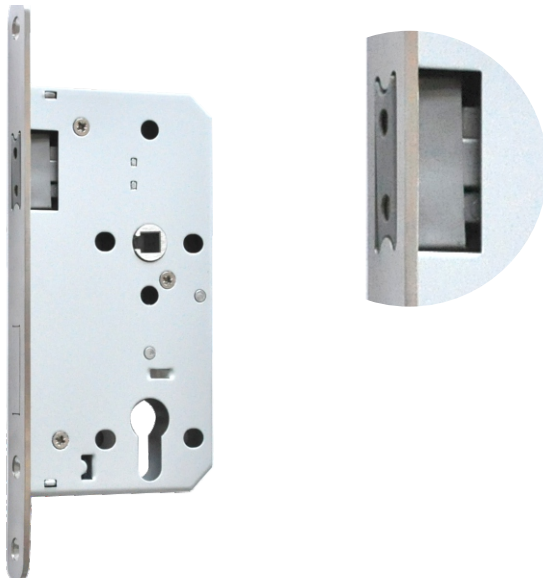
A72-xxA/L/C/F Anti-Friction

1. All latches can be changed into anti-friction
2. "A" means anti-friction latch



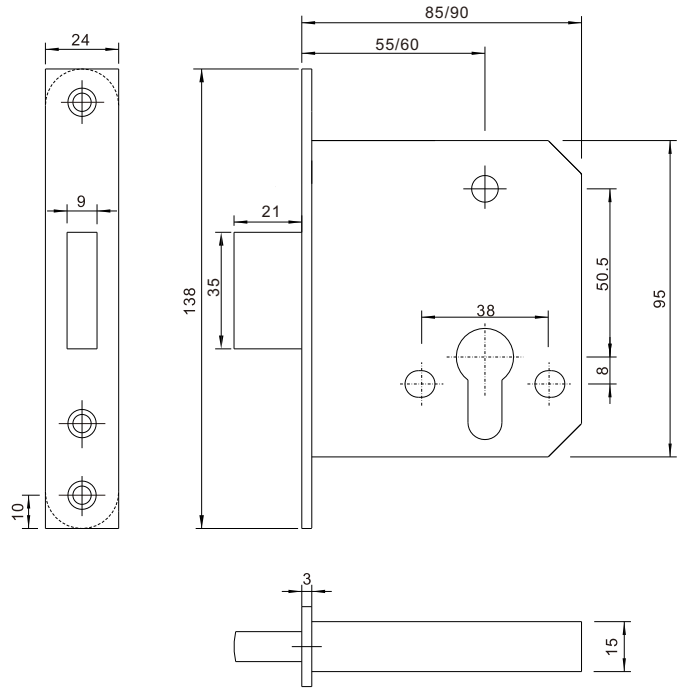
M72-xxA/L /T

1. Lock with magnetic latch
2. Latchbolt is magnet
3. These latchbolts can be applied to all locks equipped with latch bolt
4. "M" means lock with magnetic latch



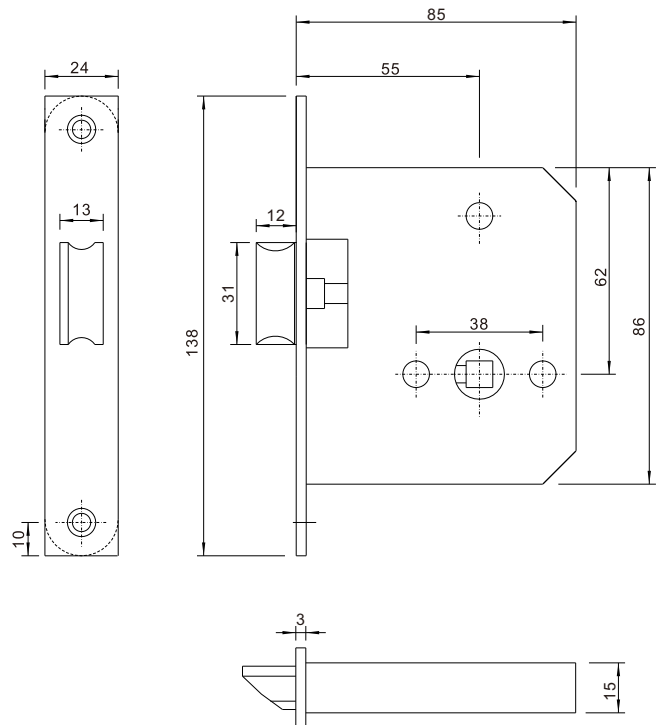
55-D/60-D Deadbolt fire-rated Lock

1. Dead bolt is made of stainless steel 304
2. Forend is made of stainless steel 304
3. Follower is cast from stainless steel 304
4. Non-handed



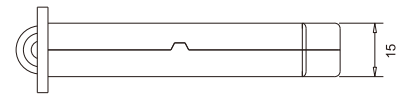
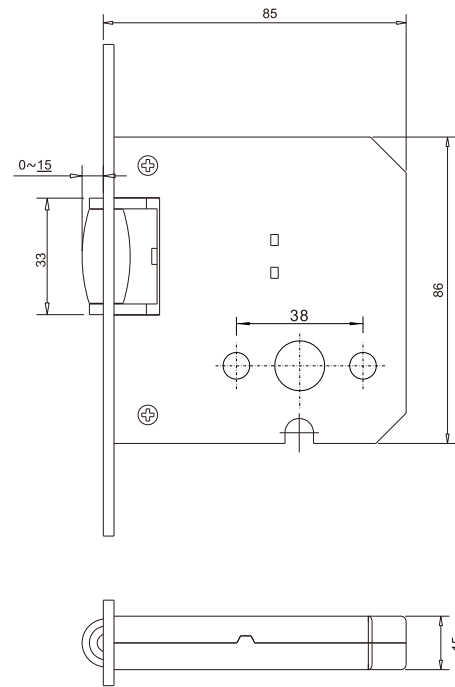
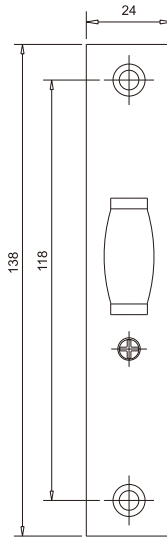
55-L Latchbolt fire-rated Lock

1. Dead bolt is made of stainless steel 304
2. Forend is made of stainless steel 304
3. Follower is cast from stainless steel 304
4. Non-handed



55-P Roller latch

- 1. Roller is made of stainless steel 304
- 2. Forend is made of stainless steel 304
- 3. Non-handed



Narrow Stile Locks

35-92/65TR Exit lock



Specifications

Panic function

- Key to unlock
- Non-handed
- Without strike plate.

In unlocked position

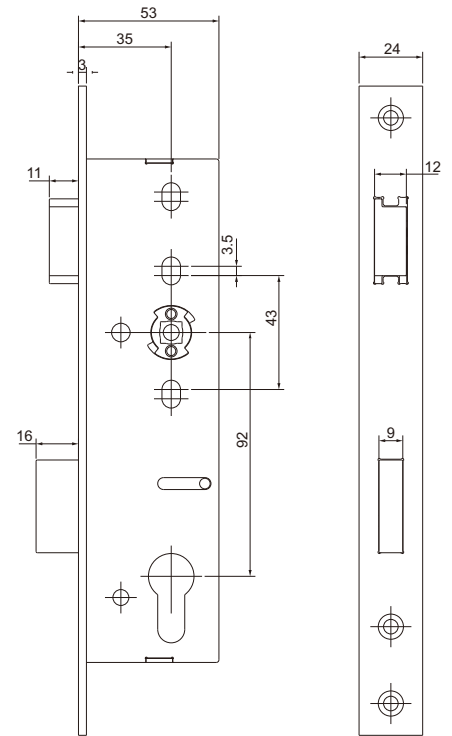
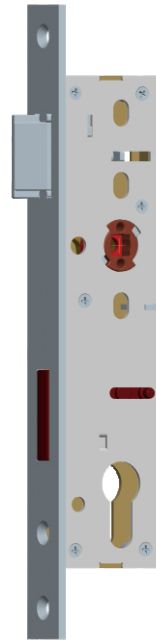
Latch bolt is operated from both sides by lever handle/key action

In locked position

- Inside lever handle retracts latch and deadbolt simultaneously
- Deadbolt operated by key

Compliance with:

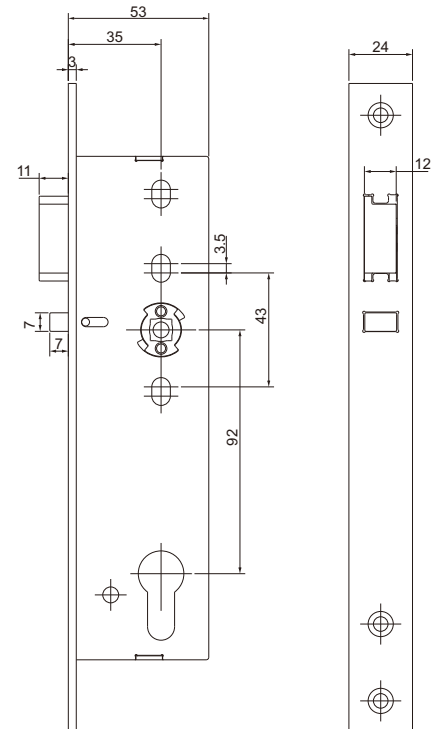
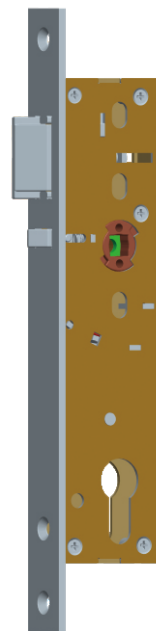
- A) EN12209
- B) EN179
- C) EN1125



35-92CR Classroom lock

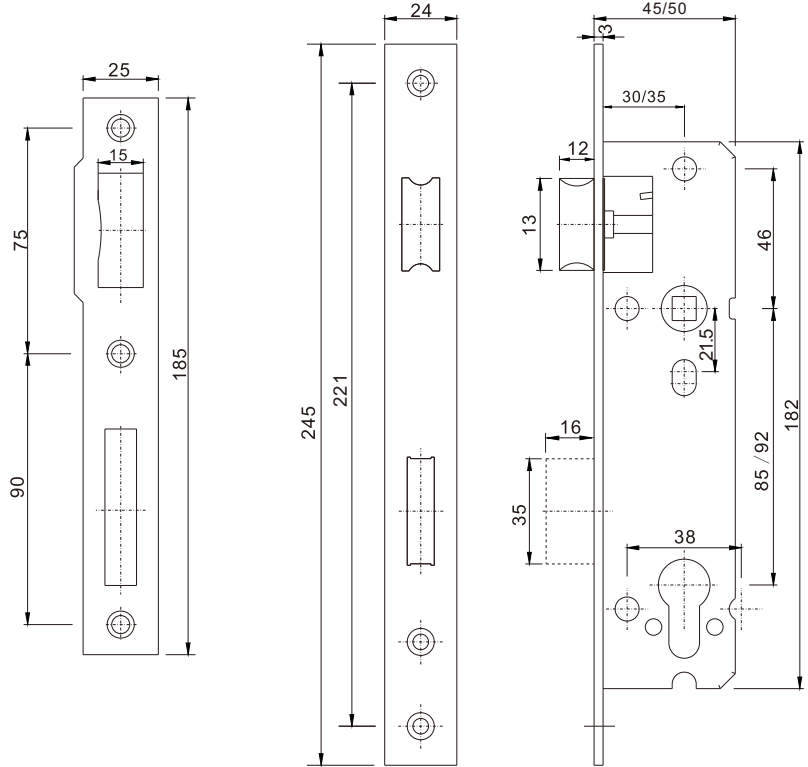


1. Lock case seal, zinc plated
2. Latch made of stainless steel 304
3. 8mm square steel follower in steel
4. Hole for standard fixings
5. Non-handed



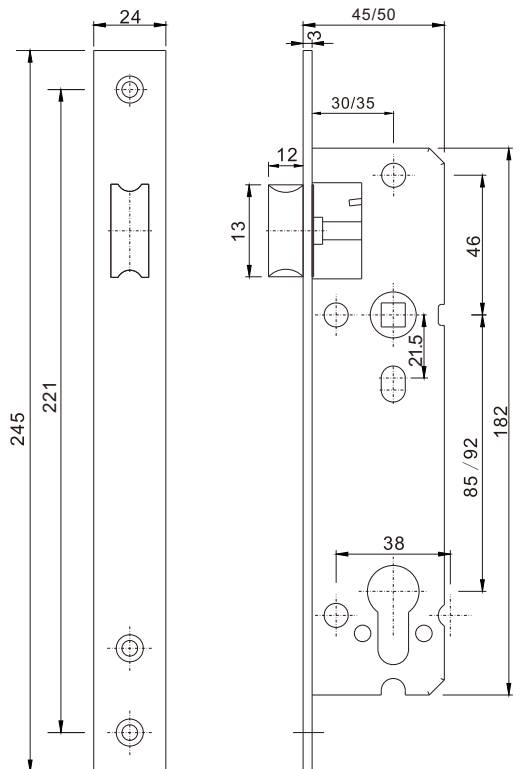
30-85A/92A, 35-85A/92A Narrow lock

1. Lock case seal, zinc plated
2. Latch and bolt made of stainless steel 304
3. Bolt projection, double throw, 16mm
4. 8mm square steel follower in steel
5. Hole for standard fixings
6. Non-handed
7. EN12209 in preparation



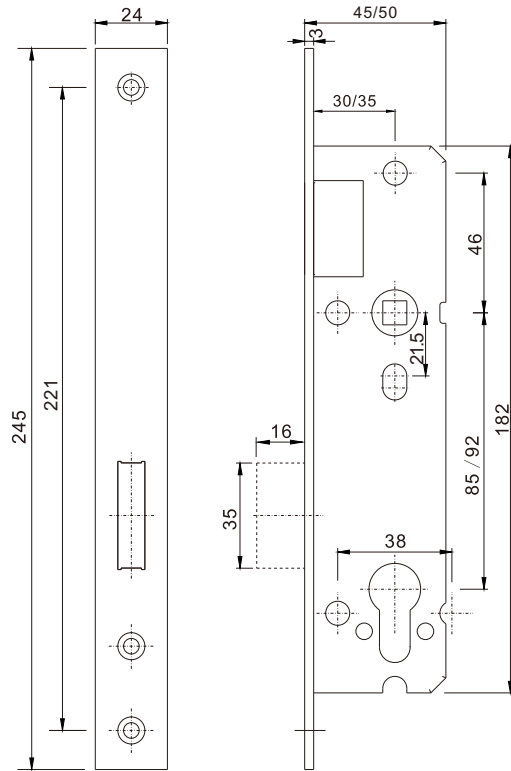
30-85L/92L, 35-85L/92L Narrow latch lock

1. Lock case seal, zinc plated
2. Latch and bolt made of stainless steel 304
3. 8mm square steel follower in steel
4. Hole for standard fixings
5. Non-handed
6. En12209 in preparation



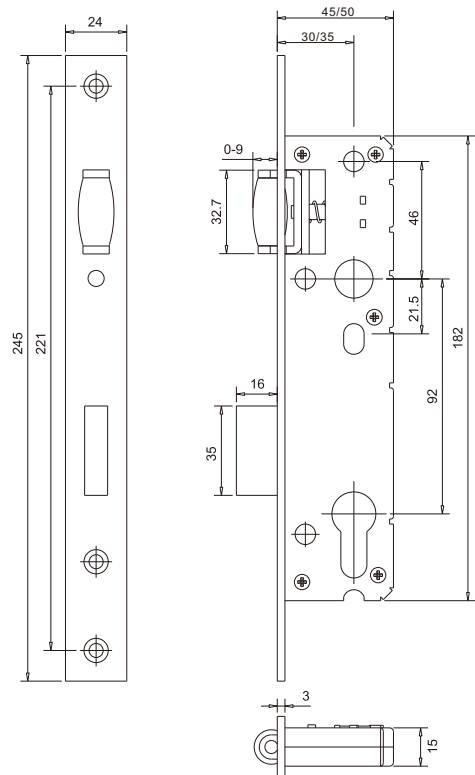
30-85D/92D, 35-85D/92D Narrow dead lock

1. Lock case seal, zinc plated
2. Bolt made of stainless steel 304
3. Bolt projection, double throw, 16mm
4. Hole for standard fixings
5. Non-handed
6. En12209 in preparation

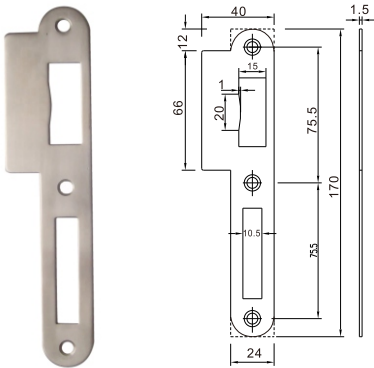


30-85P/92, 35-85/92P Roller lock

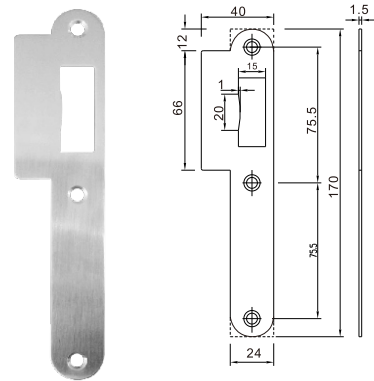
1. Lock case seal, zinc plated
2. Roller latch made of stainless steel 304
3. Hole for standard fixings
4. Non-handed
5. EN12209 in preparation



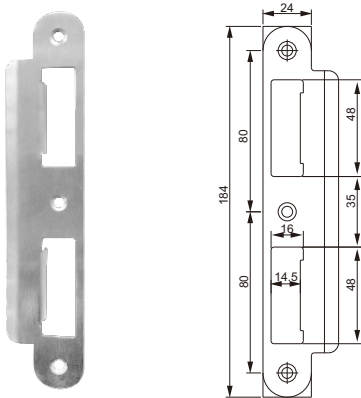
Strike



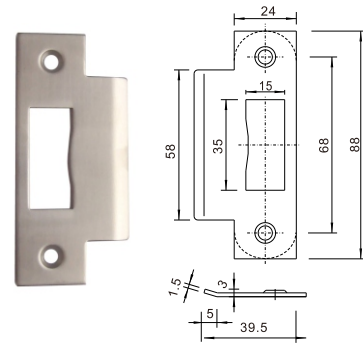
FA01S: square
RA01R: round
For A, WC, T, TA lock



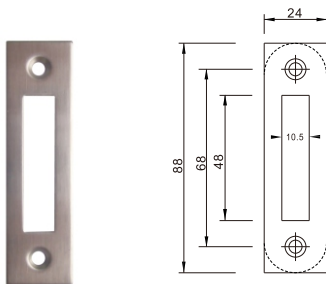
FA01LS: square
FA01LR: round
For L lock



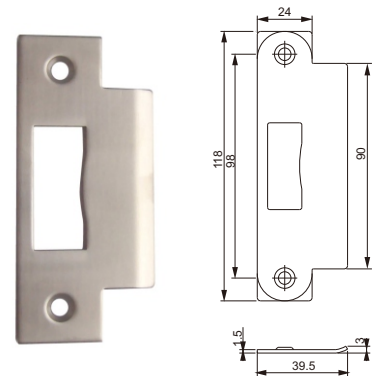
FA02LS: square
FA02LR: round
For A, WC, T, TA lock



FA03S: square
FA03R: round
For L, 55L lock



FA04S: square
FA04R: round
For D, 55D lock



FA05S: square
FA05R: round
For C, F lock



Certificate:
 1. EN1303: 160B0C6D
 2. EN1634, fire rated

Key/Turn Cylinder

FDS-xx-Dxx: certificate
 Without FDS: no certificate



Dimension(mm)

A	B	C
65	32.5	32.5
70	35	35
75	37.5	37.5
80	40	40

Key/Key Cylinder

FDS-xx-SK: certificate
 Without FDS: no certificate



Dimension(mm)

A	B	C
65	32.5	32.5
70	35	35
75	37.5	37.5
80	40	40

Half Cylinder

FDS-xx-DS: certificate
 Without FDS: no certificate



Dimension(mm)

A	B	C
40	35	10
45	40	10

Turu Models



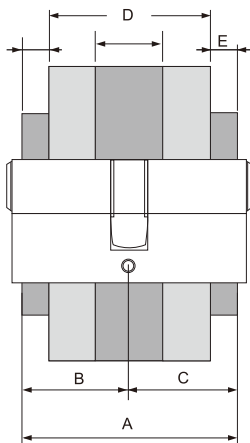
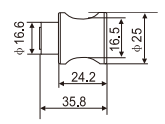
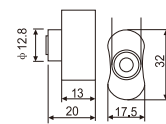
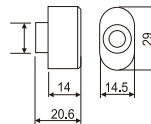
D01



D02



D03



$$A = D + E \times 2$$

D-Thickness of door
 E-Height of escutcheon

E usually is one escutcheon on each side of the door.

Always check if the mortise lock is fitted in the middle of the door. If not, an offset cylinder is required.

Master Key

Over Key and Construction Key

6 levers are available

